

## BENEFITS

- **Measurement ranges** (-40 ... 3000 °C)
- **Various spectral ranges** available
- **Adjustable scan angle** (up to 120°)
- **Modular system**
- **Indication of measuring spot position** by laser point \*
- **High quality, reliable industrial drive unit**
- **Robust IP65 certified housing**
- **High performance air purge collar attachment** to keep the measuring window clean

\* Depending on the used pyrometer



## DESCRIPTION / EXAMPLE OF APPLICATION

The SELMATEC **IR 1D-Scan** consists of a pyrometer and a swiveling device, allowing the system to measure temperatures along an axis in industrial manufacturing processes.

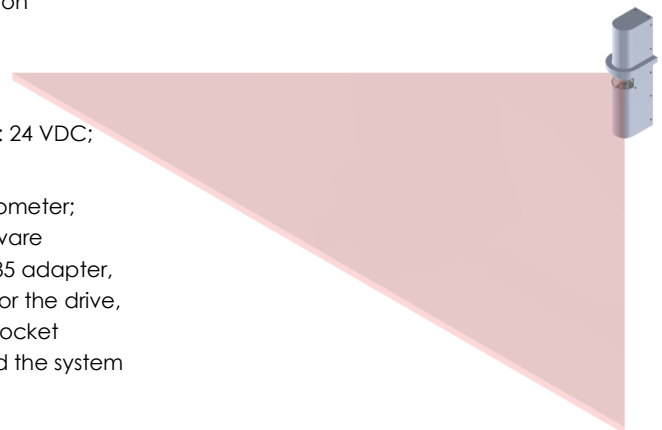
This is an ideal solution for recording temperature profiles and detecting hot spots at continuous conveyor processes and process rollers (e.g. application rollers, corrugation rollers or tempering rolls).

The system can be equipped with Fluke Thermalert 4.0 pyrometers. By selecting from additional options, such as a laser sighting device, shorter response times and thus faster scan speeds and/or a variable focus, a solution for almost any metrological problem can be achieved.

Due to standard interfaces (analog output 0/4...20 mA, digital output, RS485 interface) and mounting capabilities to common system profiles, a very easy and cost-effective integration into existing systems is possible.

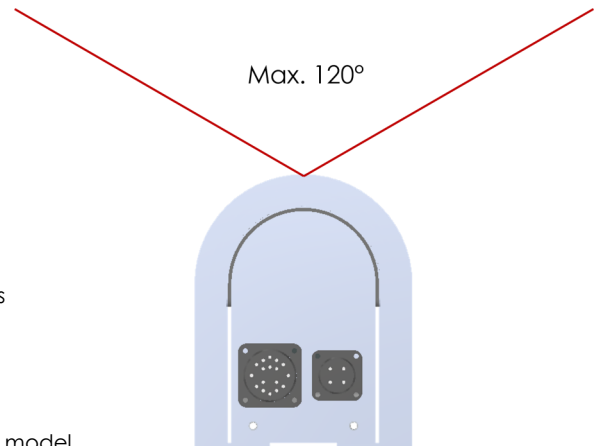
## MEASURING PARAMETERS

<b>Scan angle</b>	Max. 120°
<b>Scan speed</b>	6°/s (1D-Scan XRLT)
<b>Emissivity</b>	0,1 ... 1,0 digital adjustable
<b>Signal processing</b>	°C/ °F, min-, max-, mean, extended hold, background temperature compensation
<b>Analog output</b>	0/4 ... 20 mA
<b>Digital output</b>	Solid-state relays
<b>Power supply</b>	Pyrometer: 24 VDC; min. 500 mA Drive: 24 VDC; I <sub>max in</sub> : 8 A; P <sub>max</sub> =100 W
<b>Scope of delivery</b>	1D-Scan System incl. desired <i>Fluke</i> Pyrometer; evaluation and parameterization software <i>Data-Temp Multidrop</i> ® incl. RS232/RS485 adapter, parameterization software <i>intelliTool</i> ® for the drive, as well as a 17-pin and a 4-pin cable socket suitable for the device connectors and the system

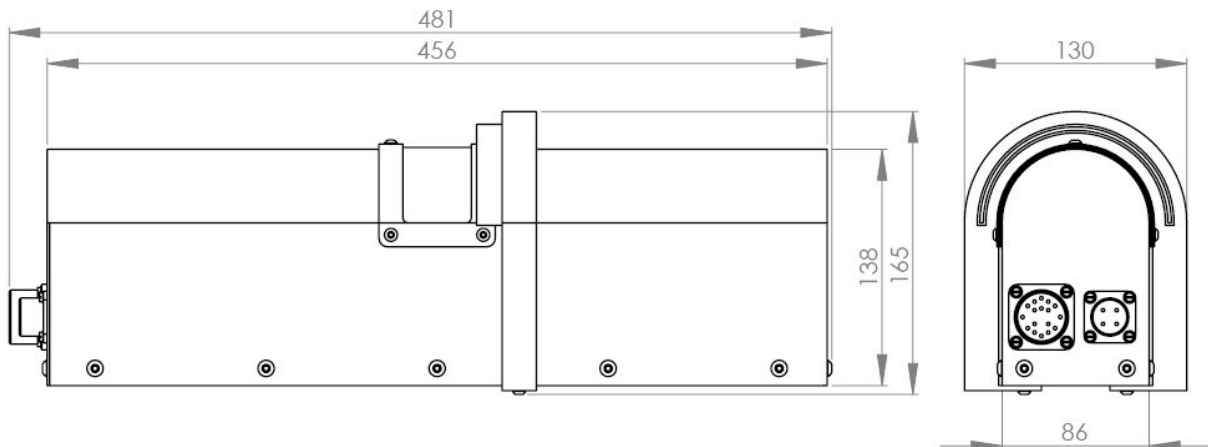
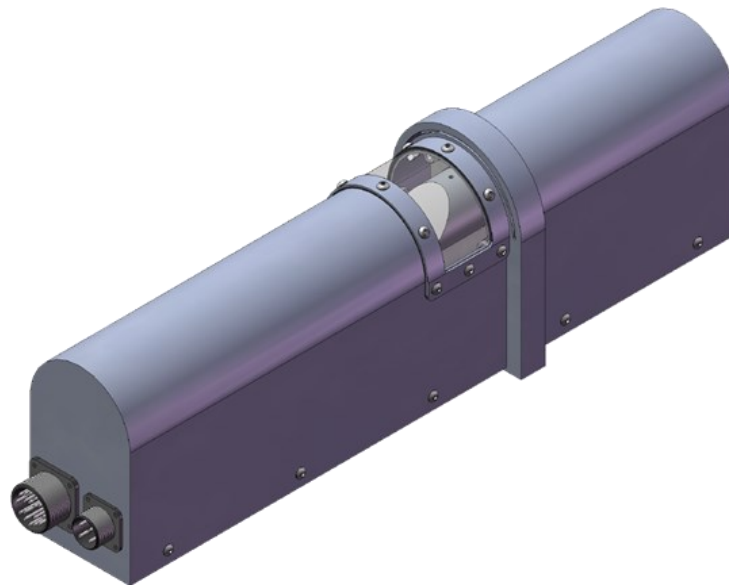


### GENERAL PARAMETERS

<b>Housing</b>	Steel, powder-coated; aluminium profile
<b>Protection class</b>	IP65
<b>Ambient temperature</b>	0 ... 50 °C
<b>Storage temperature</b>	-10 ... 65 °C
<b>Relative humidity</b>	10 ... 90 %, not condensing
<b>Vibration resistance</b>	IEC 68-2-6, 2 G, 11 - 150 Hz, 3 axes
<b>Impact load</b>	IEC 68-2-27, 5 G, 11 ms duration, 3 axes
<b>Mechanical scanning</b>	MTBF: 20.000 h
<b>Dimensions (Sensor unit)</b>	481 x 140 x 86 mm
<b>Weight (sensor unit)</b>	approx. 5,5 ... 6 kg, depending on the model
<b>Warranty</b>	12 months

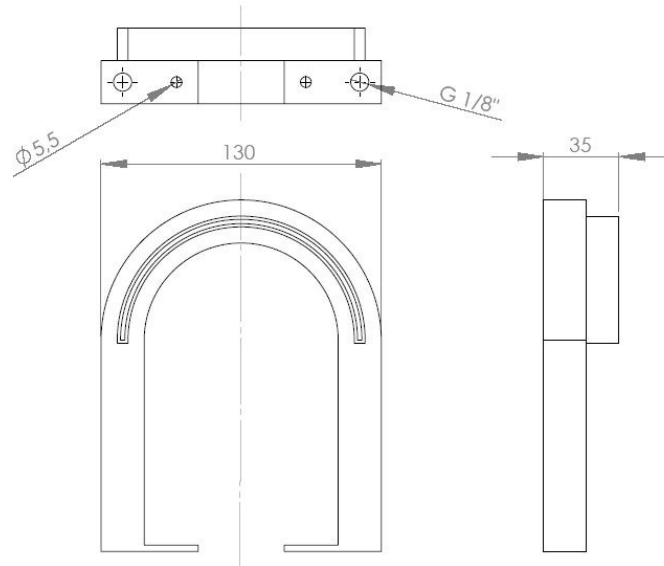


### DIMENSIONS SYSTEM UNIT



### DIMENSIONS ACCESSORIES

Air purge unit (SEL-1DSCAN-ACAP)



Replacement window (SEL-1DSCAN-ACPWLT)

