

BENEFITS

- **Large measuring range can be realized (250 ... 2300 °C)**
- **Long service life** (Pulse pressure resistant IR protection window, temperature resistant boiler fitting, wear-free contactless measurement)
- **Wide model range** of spectral and measuring ranges
- **Fully digital remote configurable pyrometers**
- **User-friendly software package included**
- **Usable at temperatures up to 315 °C**
- **Industrial grade stainless steel protective housing** with IP65 protection class



DESCRIPTION

The **IR Kiln-Blaster** offers long-term stable low-maintenance non-contact temperature measurement under extreme measuring conditions. Where thermocouples in ceramic/steel tubes are subject to very high wear and classic pyrometer solutions become visibly dirty, the IR Kiln-Blaster comes into its own. Especially during the integration of a SNCR procedure into combustion processes the Kiln Blaster is a dependable temperature measuring point. Because of its good properties, the IR Kiln Blaster is particularly well suited for hot meal and hot gas. The Kiln Blaster includes a set of pyrometers that you can choose from with different measuring/spectral ranges, and an air cannon that allows the sighting tube to stay clean. The use of selected pulse pressure-resistant and temperature resistant components allows an uncompromising continuous use of the process monitoring station.

MEASURING PARAMETERS

- The IR Kiln-Blaster® can be used with different sensor series depending on the application requirements

ENDURANCE SERIES

Ambient Temperature	0 ... 315 °C
Measuring Range	50 ... 3200 °C
Spectral Range	1 µm, 1,6 µm, 2,4 µm
Response time	2 ... 20 ms
Interfaces	Ethernet, Profinet IO, Ethernet/IP
Optical Resolution	75:1 ... 300:1
Available as 2 color model	Yes



THERMALERT 4.0 SERIES

Ambient Temperature	-20 ... 315 °C
Measuring Range	-40 ... 2300 °C
Spectral Range	1 µm, 1,6 µm, 2,2 µm, 2,3 µm, 3,43 µm, 5 µm, 7,9 µm, 8 - 14 µm
Response time	10 ... 150 ms
Interfaces	4-20 mA, RS485, Ethernet, Ethernet/IP, PoE, Profinet
Optical Resolution	7:1 ... 70:1
Available as 2 color model	No

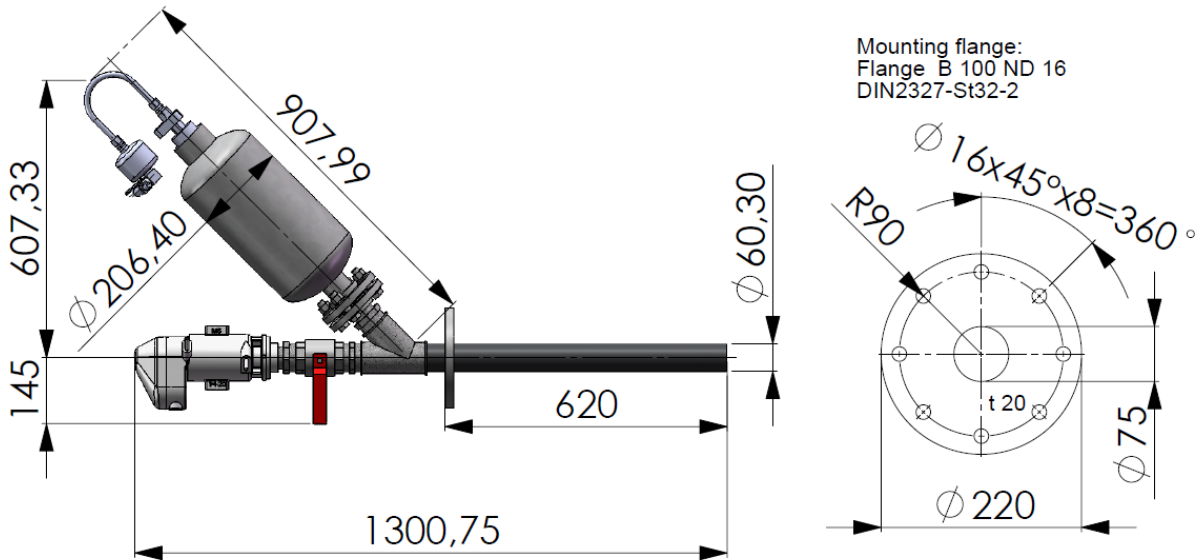


MI3 SERIES

Ambient Temperature	-20 ... 180 °C
Measuring Range	-40 ... 1800 °C
Spectral Range	1 µm, 1,6 µm, 5 µm, 8 - 14 µm
Response time	10 ... 130 ms
Interfaces	4-20 mA, RS485, Ethernet, Ethernet/IP, Modbus, Profinet
Optical Resolution	75:1 ... 300:1
Available as 2 color model	No



DIMENSIONS SYSTEM UNIT



DIMENSIONS JUCTION BOX

