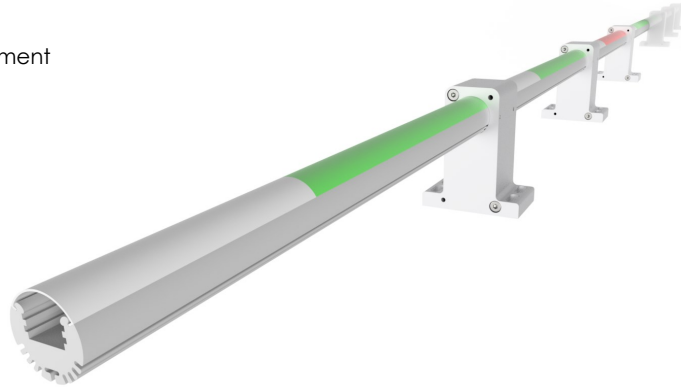


BENEFITS

- **Continuous status display** not ok / ok / laboratory parts of single or stacked products
- **Individual luminous width** per product
- **Pulsating colors** for people with red-green vision impairment
- **Synchronized with belt speed**
- **Easy to mount** 2 m segments
- **LED stripe scalable** up to 30 m conveyor belt length
- **Selmatec controller unit**, DIN rail mounting
- **Galvanically isolated inputs** (digital, ethernet)
- **Optimal Ethernet integration** in SelVision system
- **Preconfigured recipe / lighting patterns**
- **Plot mode** via digital inputs
- ...



DESCRIPTION / EXAMPLE OF APPLICATION

The **LED status stripe** can be used to visualize the component status of the respective products on the conveyor belt. Thanks to freely selectable luminous colors, reject parts, for example can be quickly identified and sorted out.

The LED status stripe is controlled by a connected controller. An incremental encoder determines the current conveyor belt speed in order to precisely clock the component status into the LED stripe and to synchronize component movement and light display.

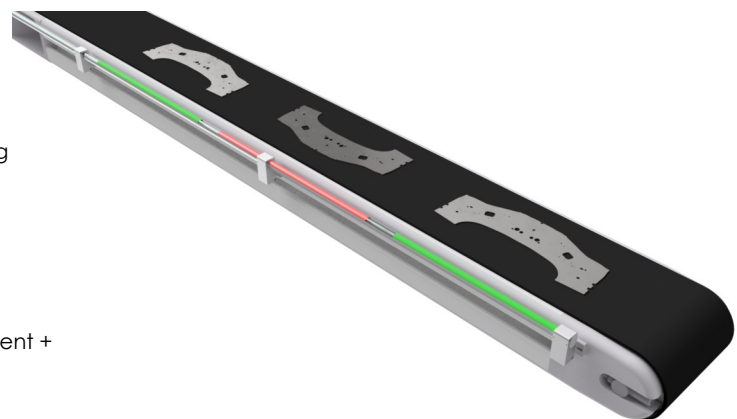
The component width of the various products can be set both via the gaps of the set light bars and by defining the component width. Stacked components can also be visualized without any problems. For this purpose, the LED display can be divided in order to always have the status for each stacked component in view.

The LED status stripe can be easily connected to a PLC to ensure optimum component transparency. If required, a suitable overall solution can be individually adapted to the layout of your production plant.

An integration to SelVision systems can be realized directly via Ethernet.

GENERAL PARAMETERS

IP Code	IP50 (IEC 60529)
Ambient air temperature	0 - 50 °C
Storage temperature	-25 - 65 °C
Relative air humidity	10 ... 90 %, non condensing
Mechanical Scanning System	MTTF: 292 Years
Resolution	30 LED/m
LED-Stripe Dimension	Ø 24 mm x 2000 mm Segment + Mounting bracket
LED-Stripe length	Up to 30 m (in 2 m segments)
Weight	0,5 kg/m



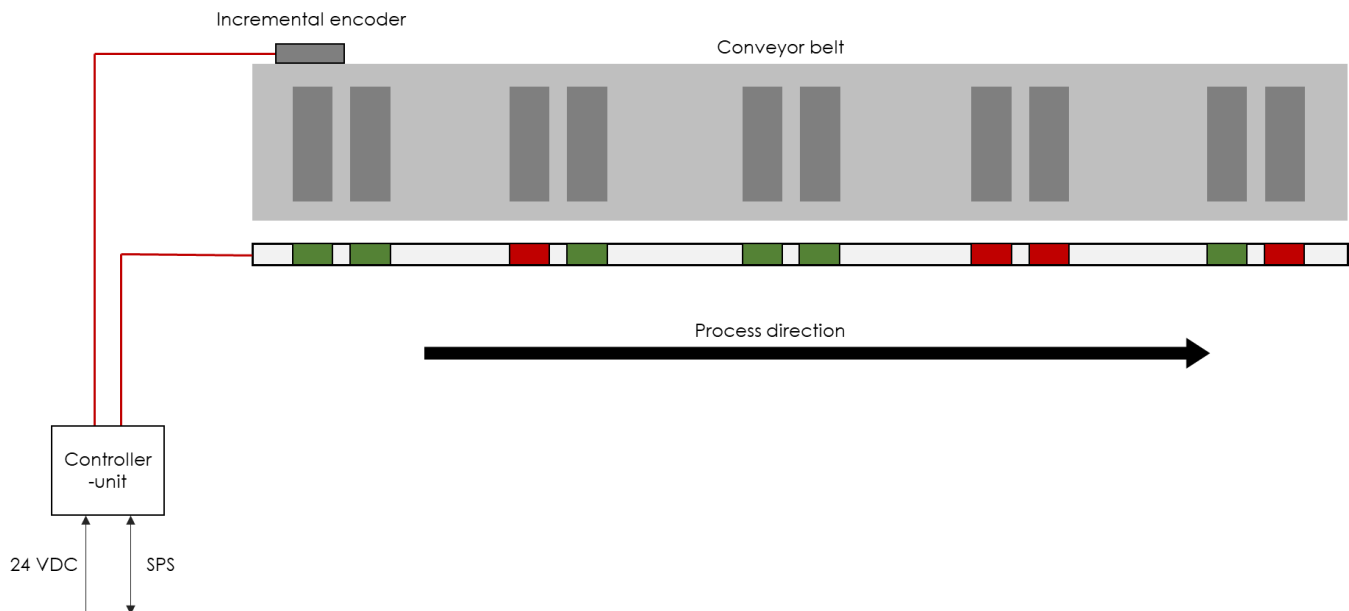
ELECTRICAL PARAMETERS

Inputs	8 digital Inputs (galvanically isolated), 24 V, with LED-Indicator
Incremental Encoder Connection	Operating voltage 5 V / 24 V Output function TTL 50 mA
Digital Network-communication	Telnet TCP/IP Protocol 10/100 Mbit/s, RJ45
Power supply	12 VDC, 8 A (max.)
CE conformity	EN601010-1: 2010



LAYOUT EXAMPLES

- There are a **variety of options** (e.g. A, B, C)
- The System is individually adapted to the conditions depending on the length of the conveyor belt
- It is flexible and easily expandable
- Various systems can be combined with each other for optimal component tracking



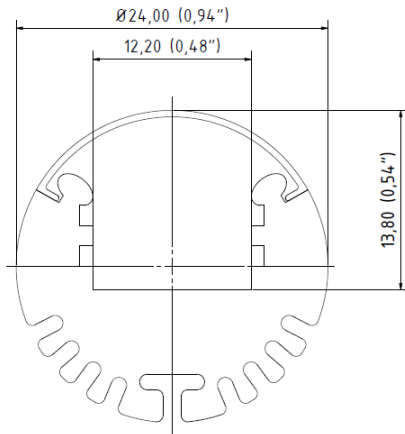
LED-STATUS-STRIPE

DATA SHEET

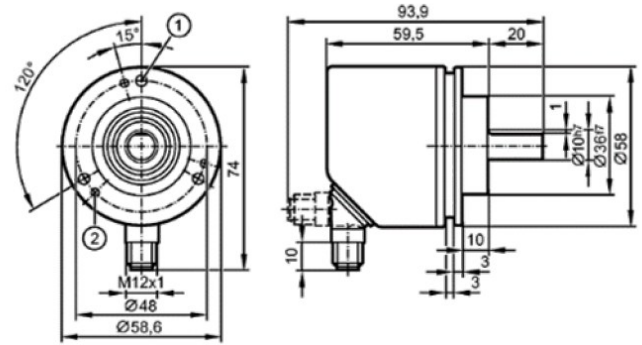
ACCESSORIES

The LED status stripe is supplied with mounting brackets for a conveyor, Selmatec controller unit (DIN rail mounting), incremental encoder, spring arm, software and operating instructions including circuit diagram.

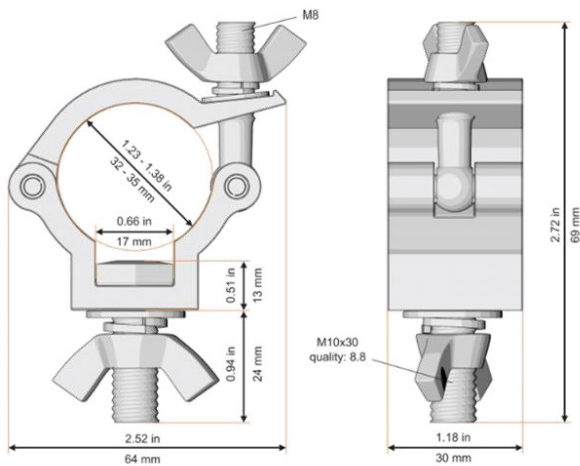
LED-STRIPE:



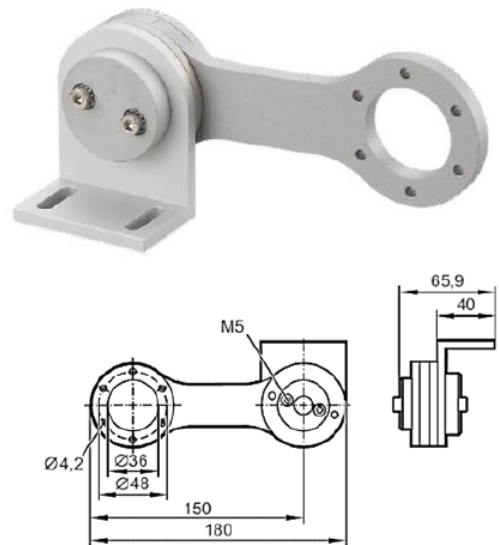
INCREMENTAL ENCODER



MOUNTING BRACKETS FOR CONVEYOR



SPRING ARM FOR ENCODER



SELMATEC CONTROLER UNIT (DIN RAIL MOUNTING)

