

## Highlights

- Wide temperature range from -20°C to 500°C
- 13:1 optics at 90% energy
- 150 ms response time
- Scaleable 0 – 5 V output or t/c type J or K output
- Alarm output
- Sensor status/self diagnostic indicator LED
- RS232 digital communications for sensor set-up and monitoring
- Adjustable signal processing
- Rugged IP 65 stainless steel housing
- DataTemp® Multidrop software compatible
- Accessories for air purging and lens protection

### General Specifications

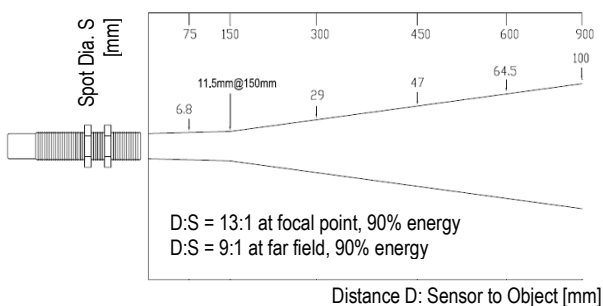
Environmental Rating	IP65
Ambient Temperature	0 to 70°C
Cable Temperature	-30 to 105°C
Storage Temperature	-20 to 85°C
Relative Humidity	10 to 95%, non-condensing
Shock	IEC 68-2-27, 50 g's, 11 ms, any axis
Vibration	IEC 68-2-27, 3 g's, any axis, 11–200 Hz
Weight	145 g (incl. 1 m cable)

### Electrical Specifications

Analog Output	model specific type J or K or scaleable 0 to 5 V voltage output
Digital Output <sup>1</sup>	RS232 (two-way)
Alarm Output <sup>1</sup>	24 VDC, ±20%, < 20 mA (transistor)
Cable Length	1 m standard 3 m optional
Output Impedance (t/c)	100 Ω
Min. Load Impedance (mV)	50 kΩ
Power Supply	24 VDC, ±20%, 10 mA

<sup>1</sup> digital and alarm output share a common wire. User selects either alarm output or RS232 communication via Datatemp Multidrop software.

### Optical Specifications



# CM

## Datasheet



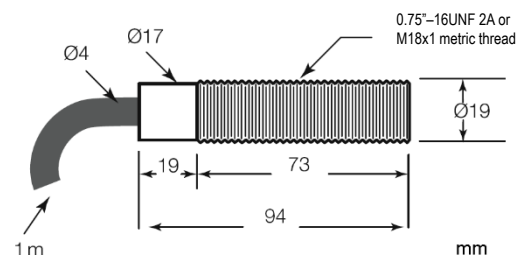
### Measurement Specifications

Temperature Range	-20 to 500°C
Spectral Response	8 to 14 μm
Accuracy <sup>1</sup>	±1,5% of reading or ±2°C, whichever is greater ± 3,5°C for T <sub>meas</sub> < 0°C
t/c <sup>2</sup>	±1,5% of reading or ±4°C, whichever is greater ± 3,5°C for T <sub>meas</sub> < 0°C
Repeatability	± 0,5% of reading or ± 1°C, whichever is greater
Temperature Resolution	0,1°C
Response Time	150 ms (95%)
Emissivity	0,10 to 1,10 (adjustable)
Transmissivity	0,10 to 1,00 (adjustable)
Signal Processing	peak hold, valley hold, variable averaging
Self diagnostics	normal operation, alarm, out of range, unstable, sensor fault
Bore-Sight tolerance	typ. 3° at focal point

<sup>1</sup> at 23°C ±5°C, emissivity = 0.95

<sup>2</sup> Accuracy measured on the 0-5 VDC output or RS232 for t/c models is ± 1.5% of reading or ± 2°C

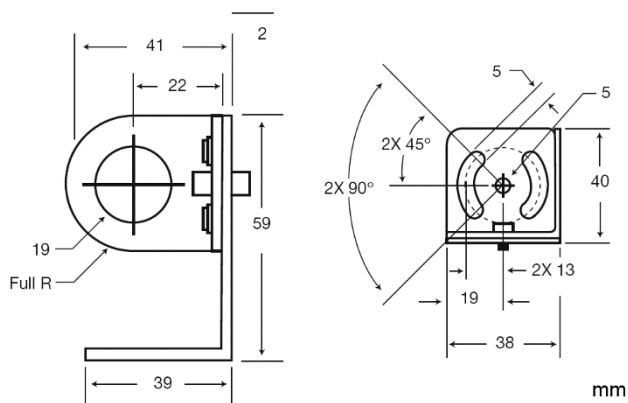
### Dimensions



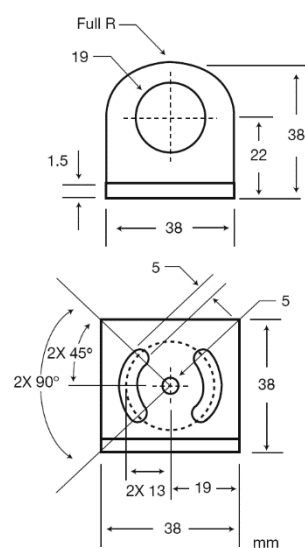
## Accessories

Each sensor includes two mounting nuts, 1 m of cable, and a quick start guide.

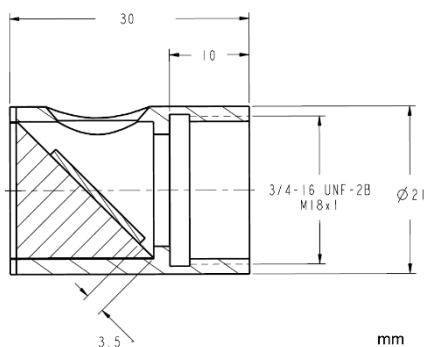
### Adjustable Bracket (XXXCIADJB)



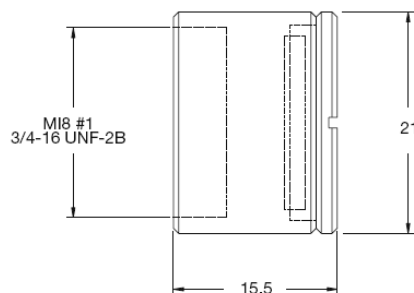
### Fixed Bracket (XXXCIACFB)



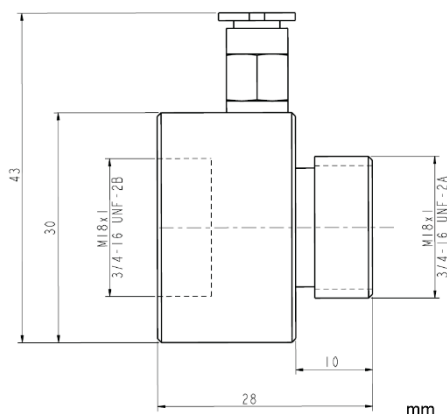
### Right Angle Mirror XXXCMACRA or XXXCMACRAM (metric)



### Protective Window XXXCMACPW or XXXCMACPWM (metric)



### Air Purge Collar XXXCMAP or XXXCMAPM (metric)



## Fluke Process Instruments

### Americas

Santa Cruz, CA USA  
Tel: +1 800 227 8074 (USA/Canada only)  
+1 831 458 3900  
solutions@flukeprocessinstruments.com

### EMEA

Berlin, Germany  
Tel: +49 30 4 78 00 80  
info@flukeprocessinstruments.de

### China

Beijing, China  
Tel: +86 10 6438 4691  
info@flukeprocessinstruments.cn

### Japan

Tokyo, Japan  
Tel: +81 03 6714 3114  
info@flukeprocessinstruments.jp

### Asia East and South

India Tel: +91 22 2920 7691  
Singapore Tel: +65 6799 5578  
sales.asia@flukeprocessinstruments.com

### Worldwide Service

Fluke Process Instruments offers services, including repair and calibration. For more information, contact your local office.

[www.flukeprocessinstruments.com](http://www.flukeprocessinstruments.com)

© 2016 Fluke Process Instruments  
Specifications subject to change without notice. 10/2016 – Rev. B1, 59402



**Selmatec**  
Systems GmbH

Von-Coellen-Weg 10 • 21379 Scharnebeck  
Phone: +494136 / 362054-4 • info@selmatec-systems.de  
Fax: +494136 / 362054-5 • www.selmatec-systems.de