

## SelVision CIR Camera



### General Specifications

- Resolution (H x V): 1,3MP= 1280x1024 px /4MP=2048x2048 px
- Frame Rate (at default settings): up to 60 fps
- Image Data Interface: Fast Ethernet (100Mbit/s) & Gigabit Ethernet (1000Mbit/s)
- Size (LxWxH): 42 mm x 29 mm x 29 mm (without lens mount or connectors)
- Size (LxWxH): 60,3 mm x 29 mm x 29 mm (with lens mount and connectors)
- Conformity: CE (RoHS inkludiert, UL, FCC, GenlCam, GigE Vision, IP30, IEEE 802.3af (PoE), REACH, KC
- Spectral range: 0,9 - 1,1  $\mu$ m
- Temperature measuring range: 460-650°C / 750-1100°C
- Power Requirements: PoE 802.3af compliant / 12 VDC via I/O Connector: = 3.1 W using PoE / = 2,6W @ 12 VDC using I/O Connector
- Measurement accuracy:  $\pm 2^\circ\text{C}$  or  $\pm 2\%$  of the measured value

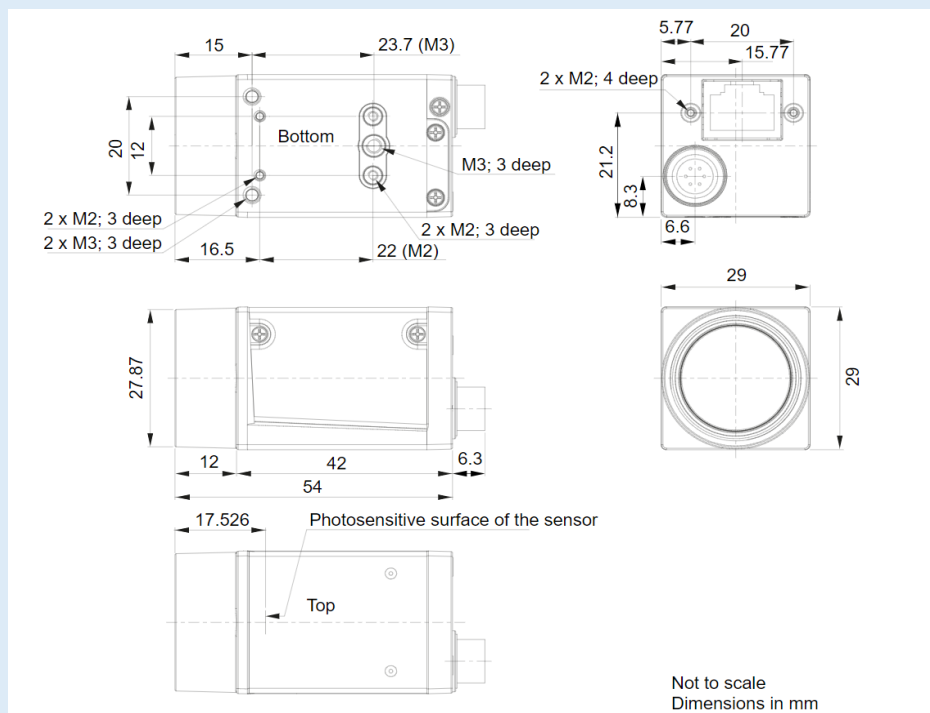
### Temperature and Humidity

- Housing temperature during operation: 0-50°C (32-122°F)
- Humidity during operation: 20-80%
- Storage temperature: -20 - 80°C (-4 - 176°F)
- Storage humidity: 20-80%
- Housing temperature according to UL 60950-1: max. 70°C (158°F)
- Ambient temperature according to UL 60950-1: max. 30°C (86°F)

### Stress Test Results

- Shock (each axis): DIN EN 60068-2-27  
20 g / 11 ms / 100 shocks positive  
20 g / 11 ms / 100 shocks negative
- Sine (each axis): DIN EN 60068-2-6 = 10-58 Hz / 1.5 mm\_58-500 Hz / 20 g\_1 Octave/Minute 10 repetitions

### Camera Dimensions and Mounting Points



Rev. 2